

### DESCRIPTION

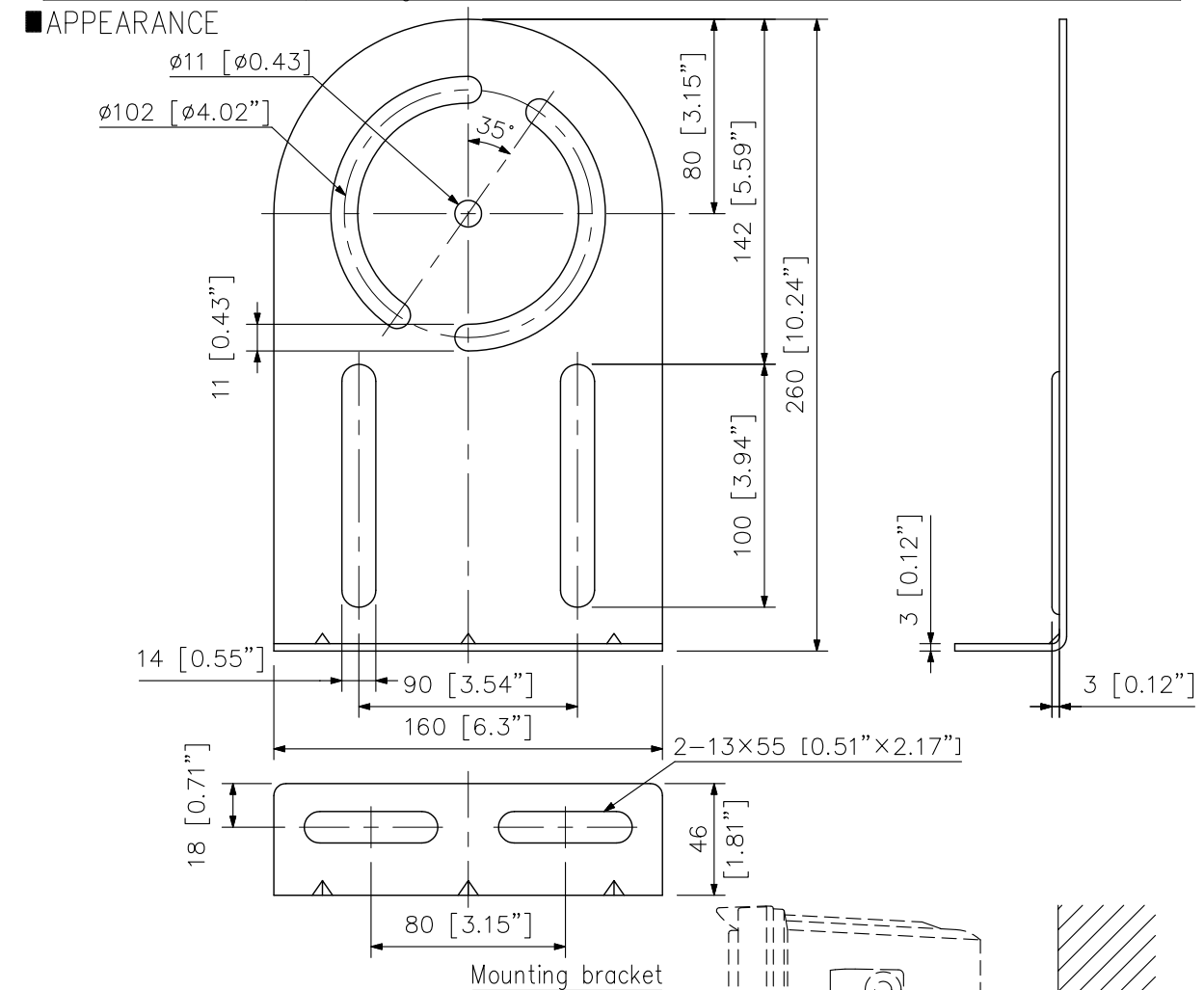
The SP-301 Speaker mounting bracket is used to mount a horn speaker to a wall.

Note: For added safety, reinforce mounting brackets and mounting bands when installing a speaker in a location that will be exposed to significant vibration and/or strong wind. It is also recommended that the installed speaker, mounting brackets, and mounting bands be checked periodically to assess potentially dangerous excessive wear and/or loose connections.

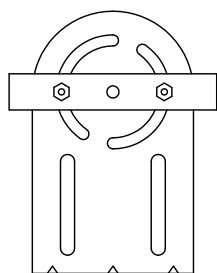
### SPECIFICATIONS

Load Capacity	5 kg (11 lb)
Finish	Bracket: Stainless Steel Screw: Stainless Steel
Weight	910 g (2.01 lb) (bracket only)
Product Composition	Mounting bracket ...1, Mounting screw (M10 x 25 bolt set, M8 x20 bolt set) ...each 1 set

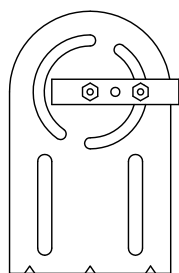
### APPEARANCE



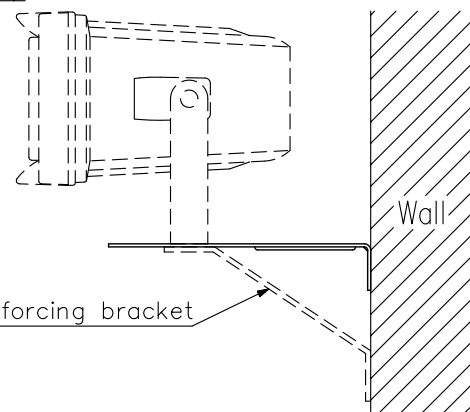
### Angle installation



Angle installation for 51 mm (2.01") pitch



Angle installation for 25 mm (0.98") pitch



Note: When installing a speaker larger than  $\phi 380$  mm [ $\phi 15$ "], or when installing a speaker where it will be exposed to significant vibration and/or strong wind, reinforce the SP-301 separately.  
Speaker mounting example

UNIT:mm SCALE:1/3