

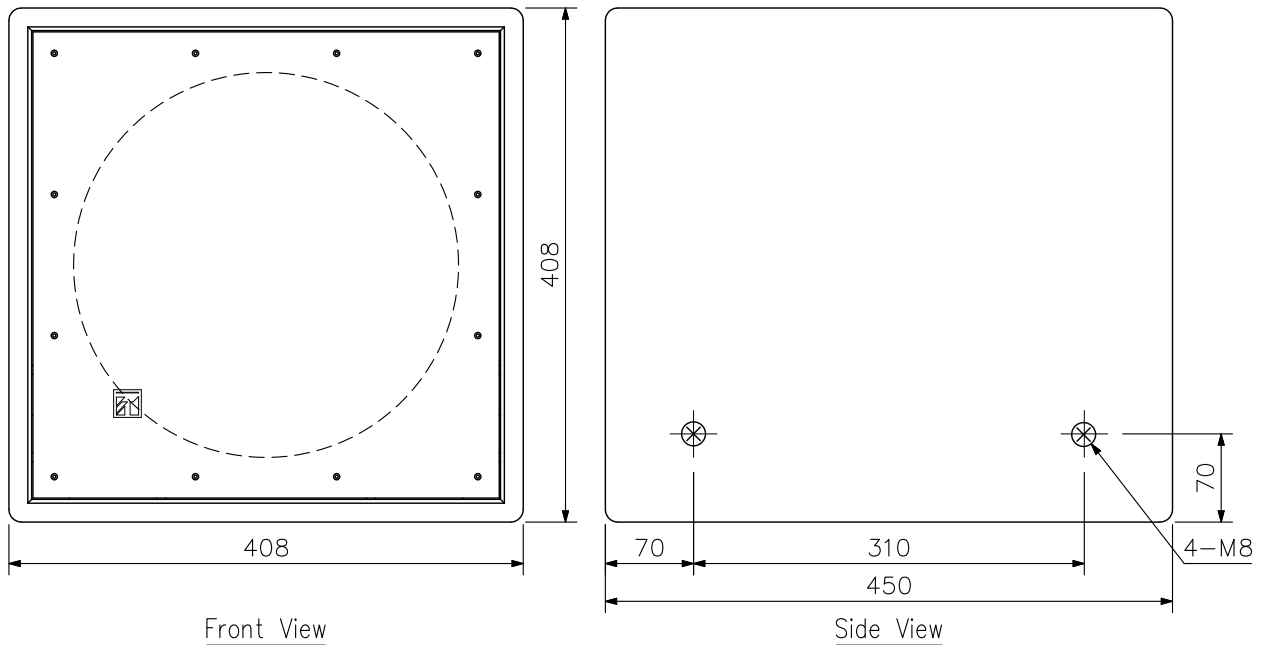
■ DESCRIPTION

The FB-120W is a compact, indoor-use subwoofer system employing a high-power 30 cm (12") woofer. It is designed for use in conjunction with TOA's HX-5 series or other full range speakers, and is particularly ideal for reproducing dynamic low-frequency sound for both permanent and temporary installations.

■ SPECIFICATIONS

| | |
|-------------------------|--|
| Power Handling Capacity | Continuous pink noise: 200 W Continuous program: 600 W |
| Impedance | 8 Ω |
| Sensitivity | 90 dB (1 W, 1 m) at installation in free sound field 96 dB (1 W, 1 m) at installation in 1/2 free sound field |
| Frequency Response | 40 Hz - 1.2 kHz (-10 dB) |
| Speaker Component | 30 cm cone-type |
| Input Terminal | Speakon NL4MPXX × 2 and M4 screw terminal, distance between barriers: 11 mm |
| Finish | Enclosure: Plywood Punched net: Surface-treated steel plate, white, paint |
| Dimensions | 408 (W) × 408 (H) × 450 (D) mm |
| Weight | 15 kg |
| Option | Speaker rigging frame: HY-PF1W |

■ APPEARANCE



UNIT:mm SCALE:1/6