

DESCRIPTION

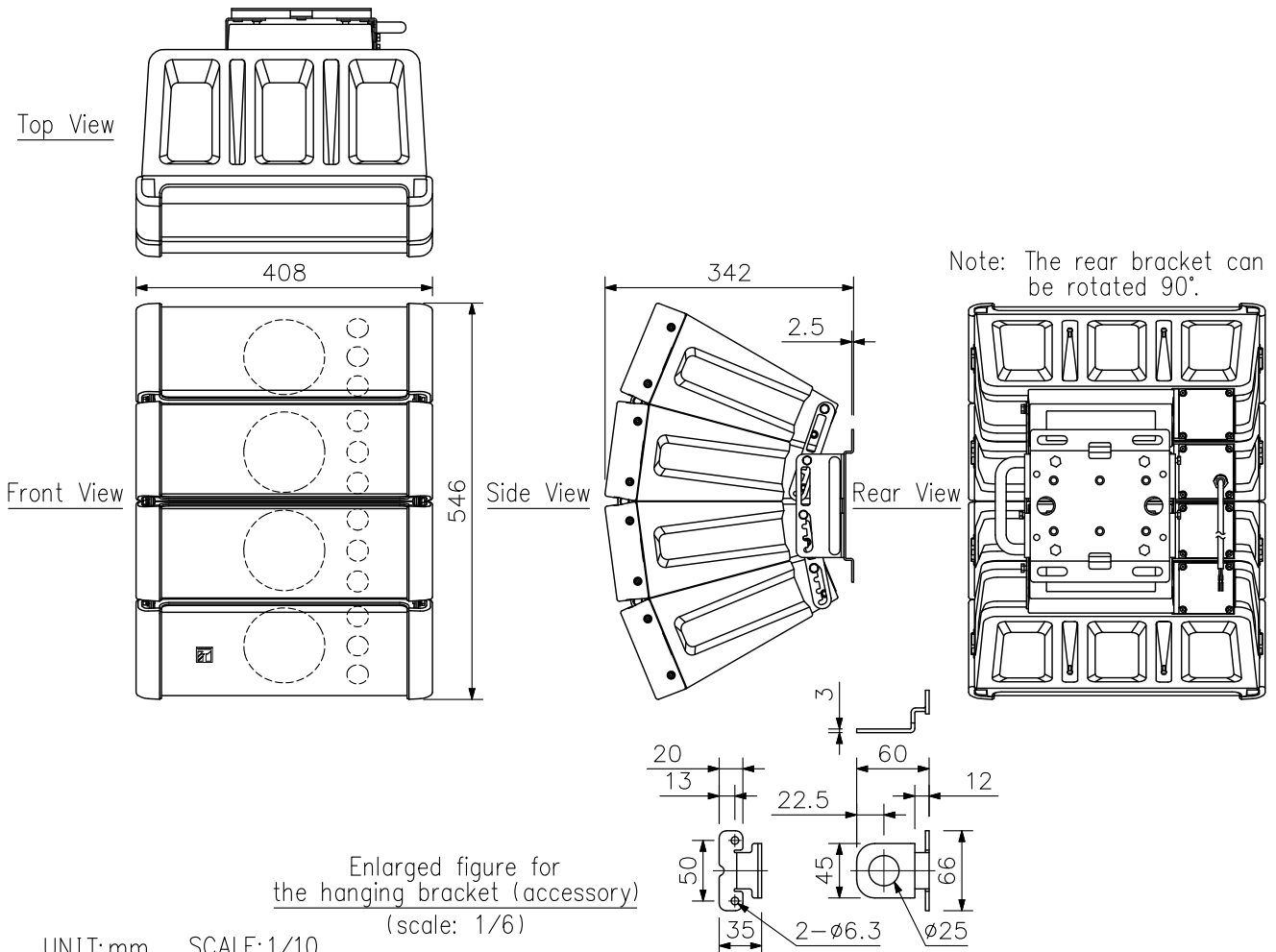
The HX-5B-WP is a 2-way compact speaker system that permits both constant directivity control over a wide frequency range and changes in directivity. It is ideal for reproducing clear sound in spaces with long reverberation times or high background noises. The speaker's splash-proof (IPX4) construction permits it to be installed under the eaves where the speaker is not directly exposed to rain.

SPECIFICATIONS

Enclosure	Sealed type
Power Handling Capacity	Continuous pink noise: 200 W, Continuous program: 600 W
Rated Impedance	8 Ω
Sensitivity (1 W, 1 m)	96 dB (60° mode), 97 dB (45° mode), 98 dB (30° mode), 99 dB (15° mode) *
Frequency Response	95 Hz - 20 kHz (-10 dB) (60° mode), 100 Hz - 20 kHz (-10 dB) (45° mode), 105 Hz - 20 kHz (-10 dB) (30° mode), 110 Hz - 20 kHz (-10 dB) (15° mode)
Crossover Frequency	4 kHz
Directivity Angle	Horizontal: 100° (2 kHz or more) Vertical: 60° (800 Hz or more), 45° (1.2 kHz or more), 30° (1.6 kHz or more), 15° (3.2 kHz or more) variable
Speaker Component	Low frequency: 12 cm cone-type X 4, High frequency: Balanced dome-type X 12
Speaker Cord	2-core cabtyre cord with diameter of 6 mm
Water Protection	IPX4 (Install with the every speaker module downward.)
Operating Temperature	-15 °C to +50 °C
Installation Environment	Indoor installation, under-eave installation (*1)
Finish	Enclosure: Polypropylene, black Punched net: Surface-treated steel plate, black, rust proof coating
Dimensions	408 (W) X 546 (H) X 342 (D) mm
Weight	16 kg
Accessory	Hanging bracket *2, Hex. wrench *1
Option	Matching transformer: MT-200 Speaker mounting bracket: HY-PF1WP, HY-CW1WP, HY-WM1WP, HY-WM2WP, HY-CN1B-WP

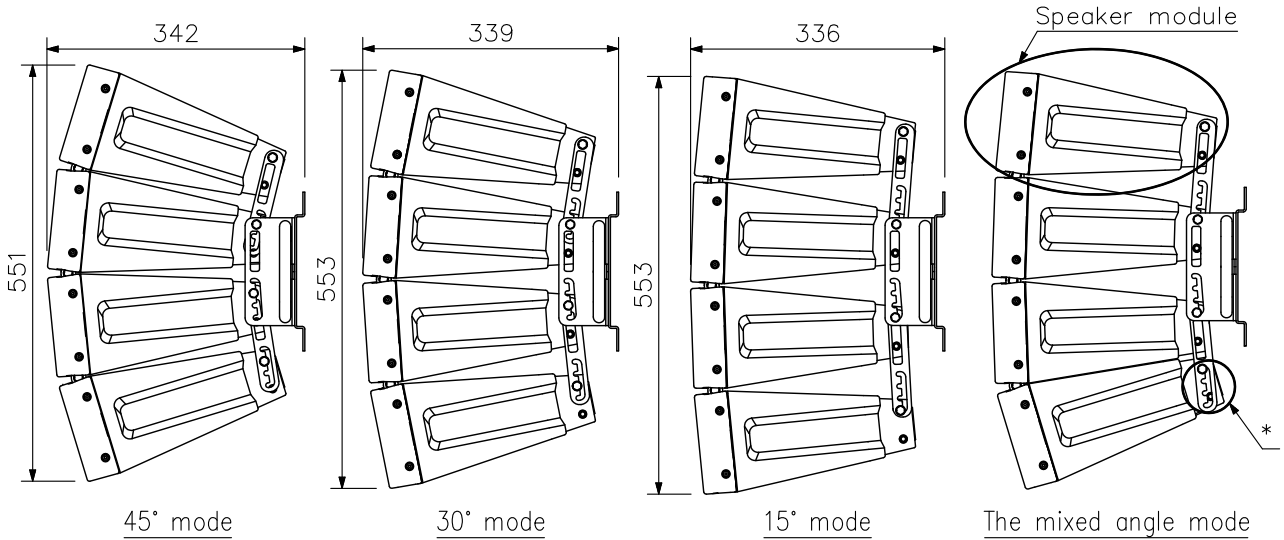
(*1) Avoid installing the speaker in locations close to the seashore or in indoor swimming facilities that are not well ventilated. In such locations, the bracket may be vulnerable to corrosion, eventually allowing the speaker to fall resulting in personal injury.

APPEARANCE * (Factory-preset: 60° mode)

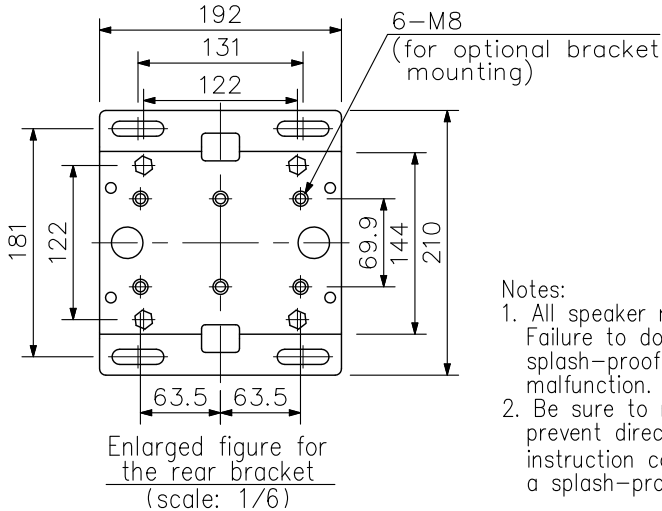
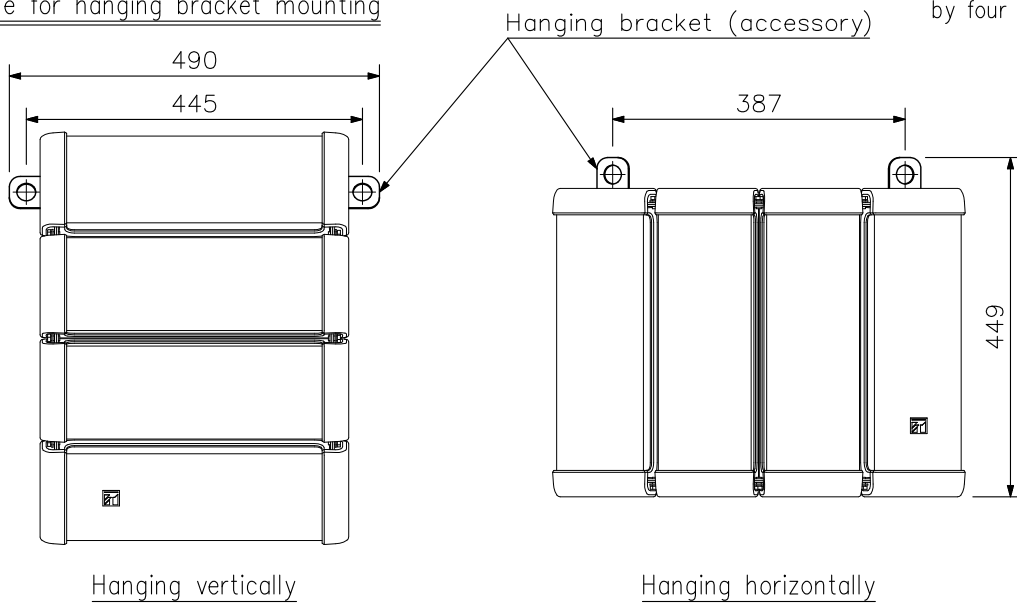


■ APPEARANCE

Example for adjustment of the directivity angle



Example for hanging bracket mounting



- Notes:
1. All speaker modules must point downward from the horizontal. Failure to do so could adversely affect their intended splash-proof and weather-resistant capabilities, leading to malfunction.
 2. Be sure to mount this speaker under eaves wherever possible to prevent direct exposure to rain and wind. Failure to follow this instruction could cause the speaker to exceed its capabilities as a splash-proof speaker, potentially leading to malfunction.

UNIT:mm SCALE:1/10