

## DESCRIPTION

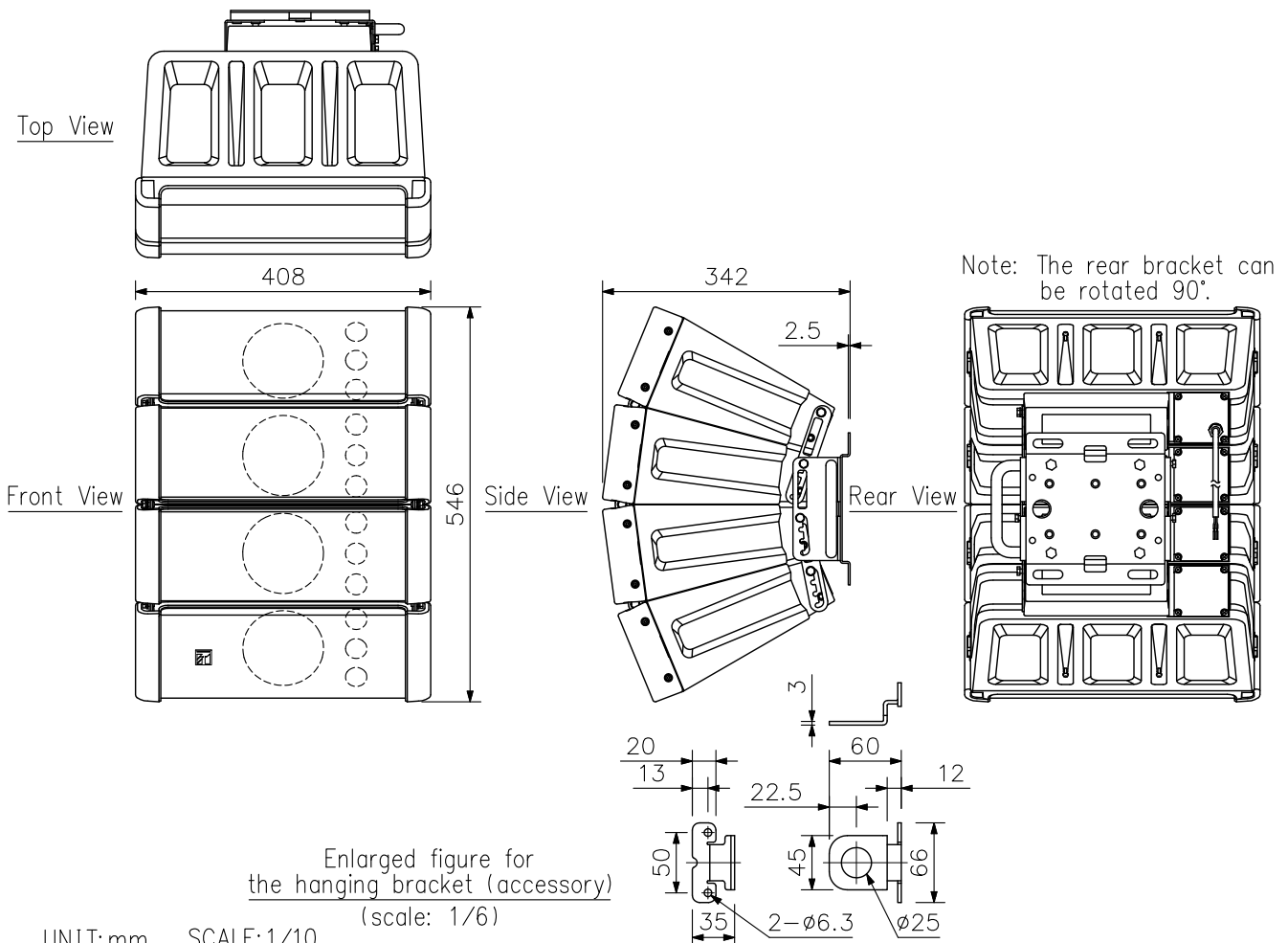
The HX-5W-WP is a 2-way compact speaker system that permits both constant directivity control over a wide frequency range and changes in directivity. It is ideal for reproducing clear sound in spaces with long reverberation times or high background noises. The speaker's splash-proof (IPX4) construction permits it to be installed under the eaves where the speaker is not directly exposed to rain.

## SPECIFICATIONS

|                          |   |
|--------------------------|---|
| Enclosure                | Sealed type   |
| Power Handling Capacity  | Continuous pink noise: 200 W, Continuous program: 600 W   |
| Rated Impedance          | 8 Ω   |
| Sensitivity (1 W, 1 m)   | 96 dB (60° mode), 97 dB (45° mode), 98 dB (30° mode), 99 dB (15° mode) *  |
| Frequency Response       | 95 Hz - 20 kHz (-10 dB) (60° mode), 100 Hz - 20 kHz (-10 dB) (45° mode), 105 Hz - 20 kHz (-10 dB) (30° mode), 110 Hz - 20 kHz (-10 dB) (15° mode) |
| Crossover Frequency      | 4 kHz   |
| Directivity Angle        | Horizontal: 100° (2 kHz or more)<br>Vertical: 60° (800 Hz or more), 45° (1.2 kHz or more), 30° (1.6 kHz or more), 15° (3.2 kHz or more) variable  |
| Speaker Component        | Low frequency: 12 cm cone-type X 4, High frequency: Balanced dome-type X 12   |
| Speaker Cord             | 2-core cabtyre cord with diameter of 6 mm   |
| Water Protection         | IPX4 (Install with the every speaker module downward.)  |
| Operating Temperature    | -15 °C to +50 °C  |
| Installation Environment | Indoor installation, under-eave installation (*1)   |
| Finish                   | Enclosure: Polypropylene, white<br>Punched net: Surface-treated steel plate, white, rust proof coating  |
| Dimensions               | 408 (W) X 546 (H) X 342 (D) mm  |
| Weight                   | 16 kg   |
| Accessory                | Hanging bracket *2, Hex. wrench *1  |
| Option                   | Matching transformer: MT-200<br>Speaker mounting bracket: HY-PF1WP, HY-CW1WP, HY-WM1WP, HY-WM2WP, HY-CN1W-WP                                      |

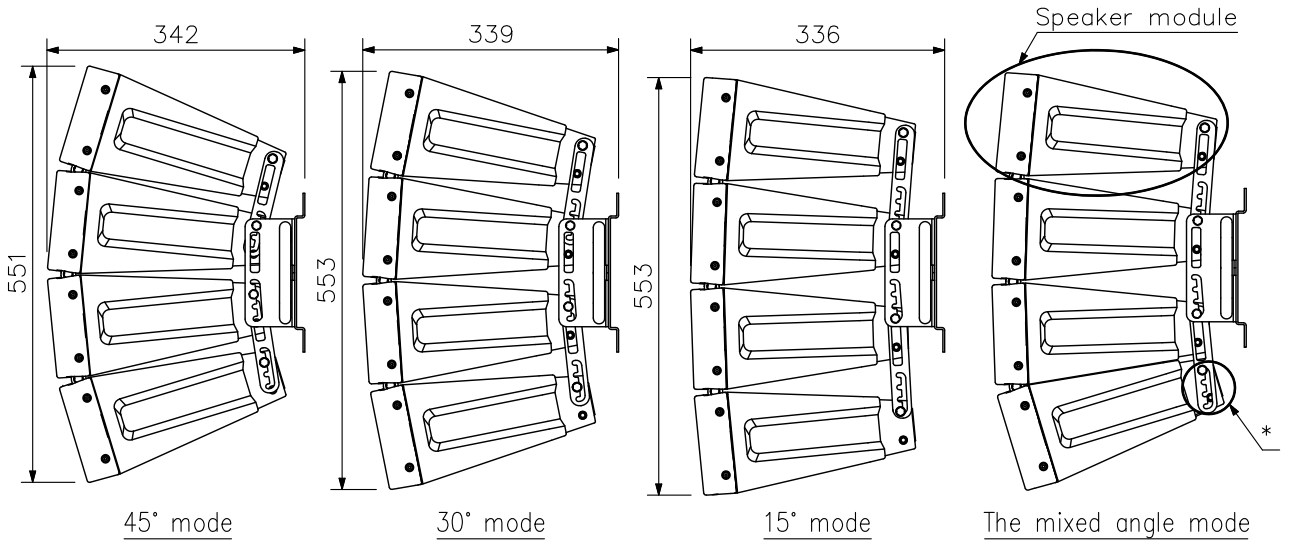
(\*1) Avoid installing the speaker in locations close to the seashore or in indoor swimming facilities that are not well ventilated. In such locations, the bracket may be vulnerable to corrosion, eventually allowing the speaker to fall resulting in personal injury.

## APPEARANCE \* (Factory-preset: 60° mode)

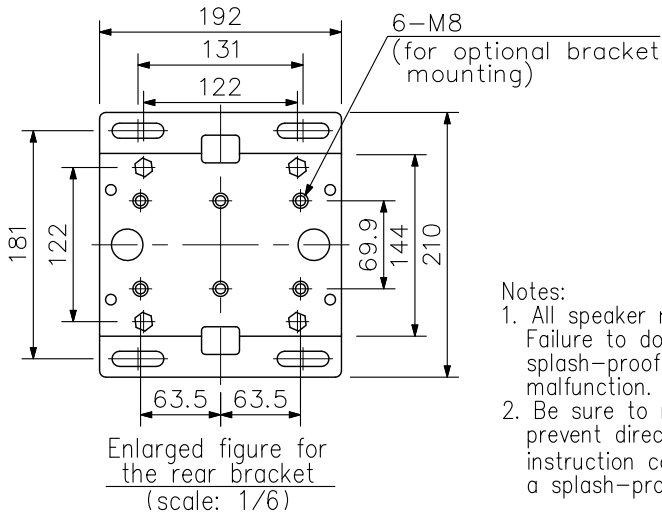
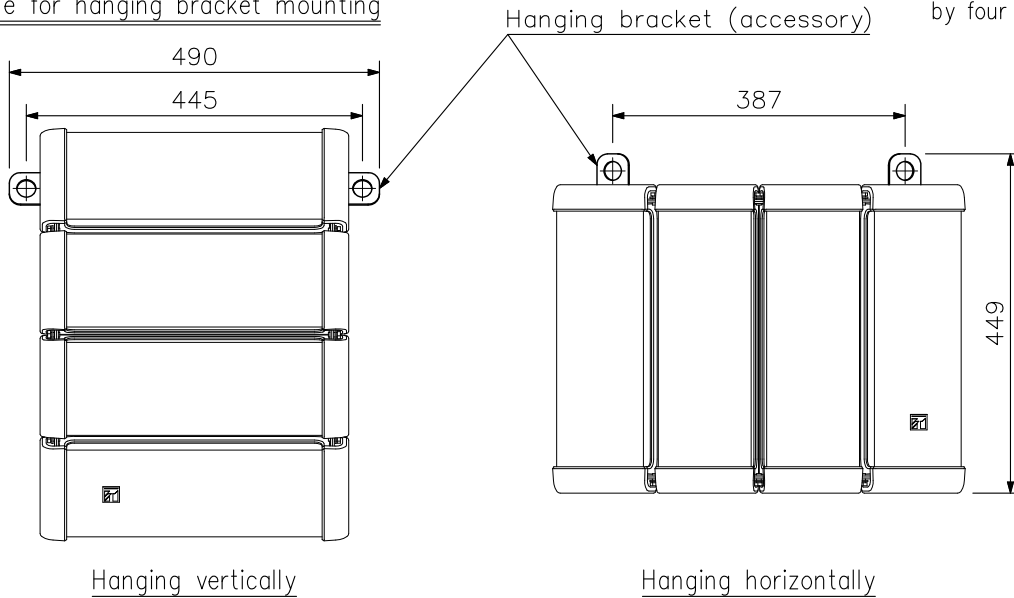


■ **APPEARANCE**

Example for adjustment of the directivity angle



Example for hanging bracket mounting



- Notes:
1. All speaker modules must point downward from the horizontal. Failure to do so could adversely affect their intended splash-proof and weather-resistant capabilities, leading to malfunction.
  2. Be sure to mount this speaker under eaves wherever possible to prevent direct exposure to rain and wind. Failure to follow this instruction could cause the speaker to exceed its capabilities as a splash-proof speaker, potentially leading to malfunction.

UNIT:mm    SCALE:1/10