

### DESCRIPTION

The HY-WM2WP is used exclusively to mount the HX-5 series speaker system closely to a wall or ceiling. The bracket helps to achieve clearer sound reproduction by minimizing phase interference generated by sound waves reflecting from walls or ceilings. This bracket is designed for under-eave use.

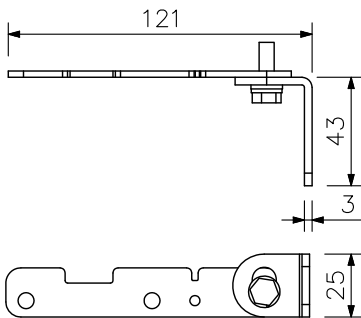
### SPECIFICATIONS

Installation Environment	Indoor installation, under-eave installation (*1)
Finish	Stainless steel (SUS304)
Weight	600 g
Accessory	Rear bracket mounting bolt (M8) with washer ...4
Product Composition	Front bracket A, B * ...1 each, Rear bracket A, B * ...1 each * Brackets A and B are symmetrical to each other.

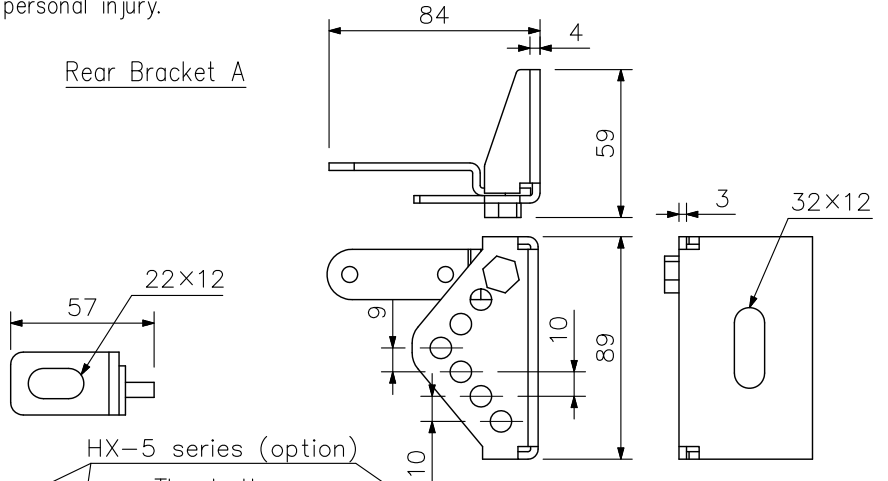
(\*1) Avoid installing the speaker in locations close to the seashore or in indoor swimming facilities that are not well ventilated. In such locations, the bracket may be vulnerable to corrosion, eventually allowing the speaker to fall resulting in personal injury.

### APPEARANCE

Front Bracket A



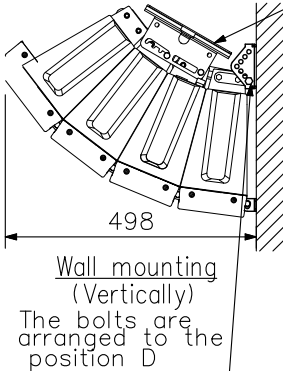
Rear Bracket A



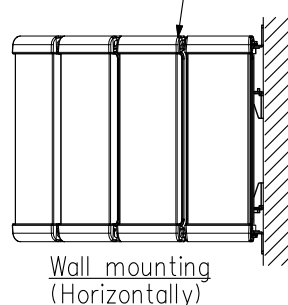
HX-5 series (option)

The bolts are arranged to the position D

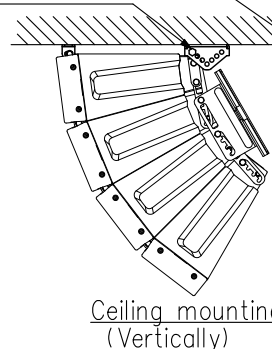
The bolts are arranged to the position A



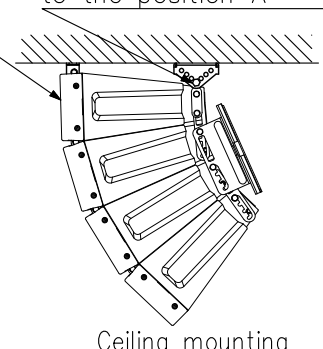
Wall mounting (Vertically)



Wall mounting (Horizontally)



Ceiling mounting (Vertically)

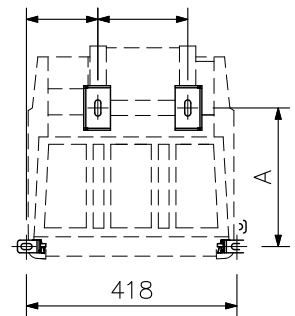


Ceiling mounting (Vertically)

Example for HX-5 series mounting (scale :1/15)

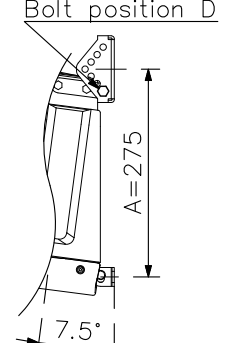
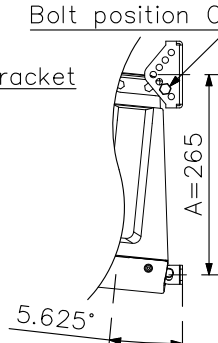
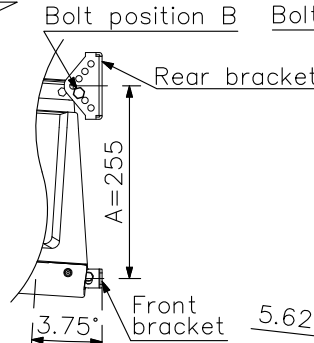
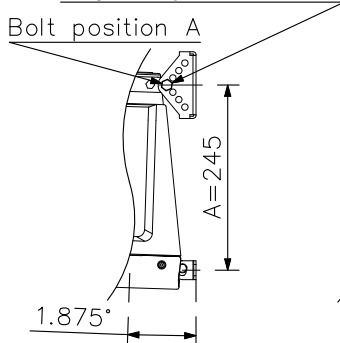
- Notes: 1. All speaker modules must point downward from the horizontal. Failure to do so could adversely affect their intended splash-proof and weather-resistant capabilities, leading to malfunction.  
2. Be sure to mount this speaker under eaves wherever possible to prevent direct exposure to rain and wind. Failure to follow this instruction could cause the speaker to exceed its capabilities as a splash-proof speaker, potentially leading to malfunction.

Angle adjustment bolt



Dimensions for wall or ceiling mounting (scale :1/15)

UNIT:mm SCALE:1/3



Note: The mounting dimensions on the wall or ceiling is changed depending on the position A to D of the bolts on the rear brackets.

Dimensions for wall or ceiling mounting (scale :1/6)