

■DESCRIPTION

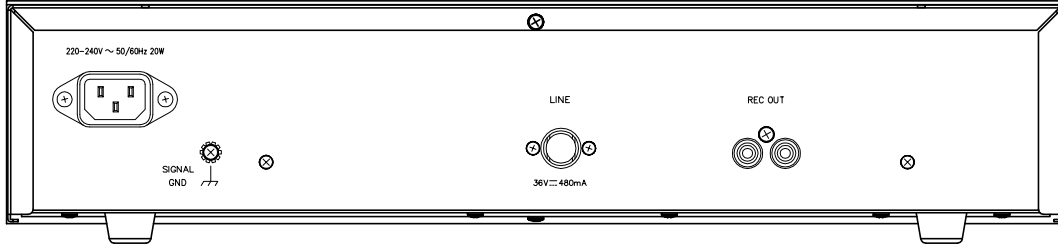
The TS-690-AS is a Central unit for TOA Conference system. Use of its line connection terminals permits connections to the conference units of TS-691L-AS, TS-692L-AS making up a conference system. With the use of an optional rack mounting bracket, it can be mounted in an EIA Standard equipment rack (2 unit size).

■SPECIFICATIONS

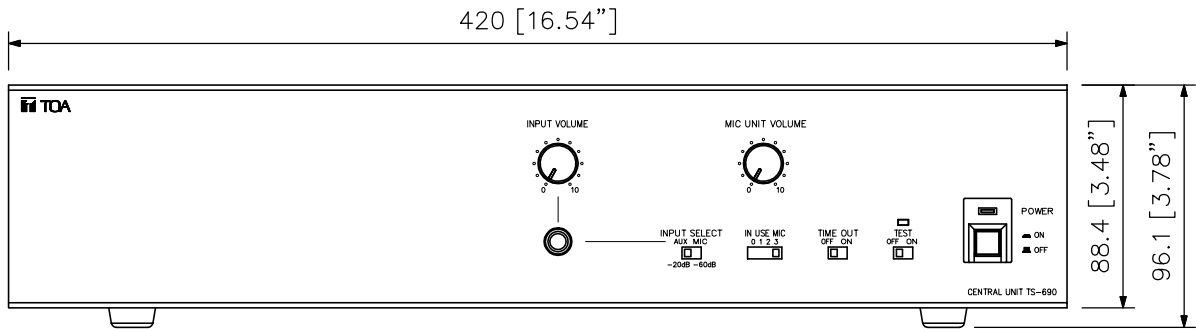
* 0 dB = 1 V

Power Source	220 - 240 V AC, 50/60 Hz
Power Consumption	20 W
Rated Output	36 V DC, 480 mA
Input	Selectable MIC or AUX MIC: -60 dB*, 600 Ω, unbalanced, phone jack AUX: -20 dB*, 10 kΩ, unbalanced, phone jack
Output	Recording: -20 dB*, 10 kΩ, unbalanced, RCA jack
Number of Connectable Units	Max. 24 units
Control	Priority speech chime: Operation of TS-691L-AS priority button activates a single-tone chime Speaker restriction: Number of simultaneously-usable TS-692L-AS can be set up to 0 - 3. Automatic Mic-off function: OFF, 30 s (selectable)
Operating Temperature	0 °C to +40 °C (32 °F to 104 °F)
Operating Humidity	90 %RH or less (no condensation)
Finish	Panel: Aluminum, black, 30 % gloss, paint Case: Steel plate, black, 30 % gloss, paint
Dimensions	420 (W) X 96.1 (H) X 222.5 (D) mm (16.54" X 3.78" X 8.76")
Weight	2.7 kg (5.95 lb)
Accessory	Power cord (2 m (6.56 ft))...1
Option	Extension cord: YR-790-3-AS, YR-790-10-AS Rack mounting bracket: MB-23B

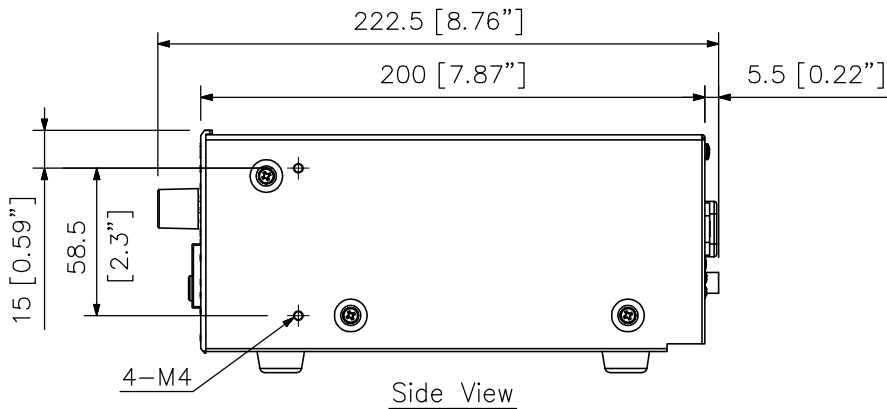
■ APPEARANCE



Rear View



Front View



UNIT: mm SCALE: 1/3