

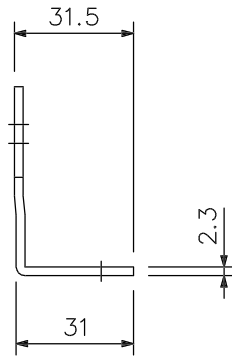
DESCRIPTION

The MB-36 is used to mount a three-unit size component that is 420 mm width in a component rack.

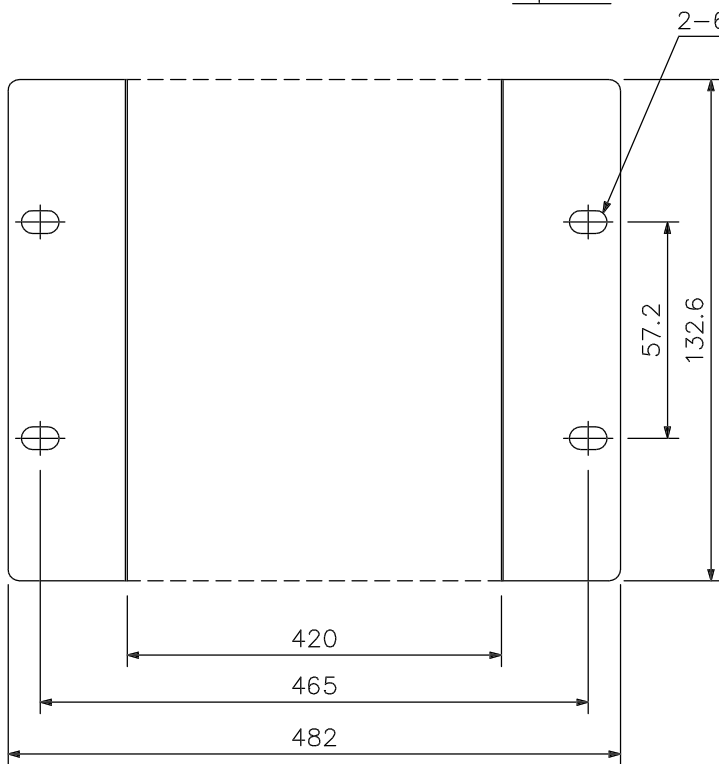
SPECIFICATIONS

Finish	Steel plate, dark gray (PANTONE 446C or its equivalent), paint
Weight	340 g
Accessory	Rack mounting screw and washer4sets, Bracket fixing screw and washer4sets

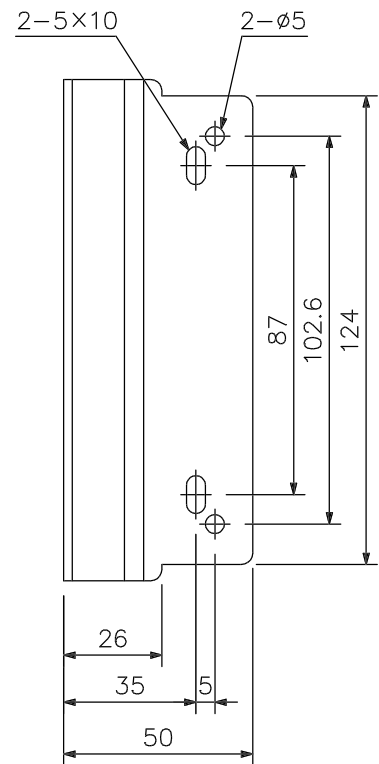
APPEARANCE



Top View



Front View



Side View

UNIT:mm SCALE:1/2