

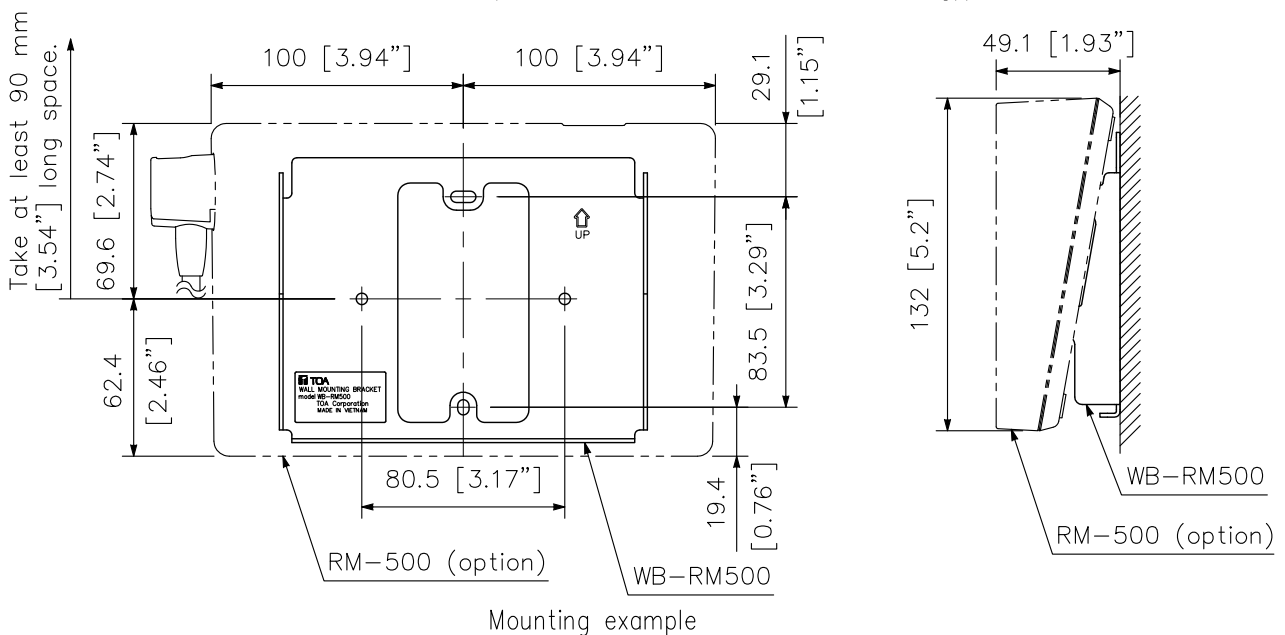
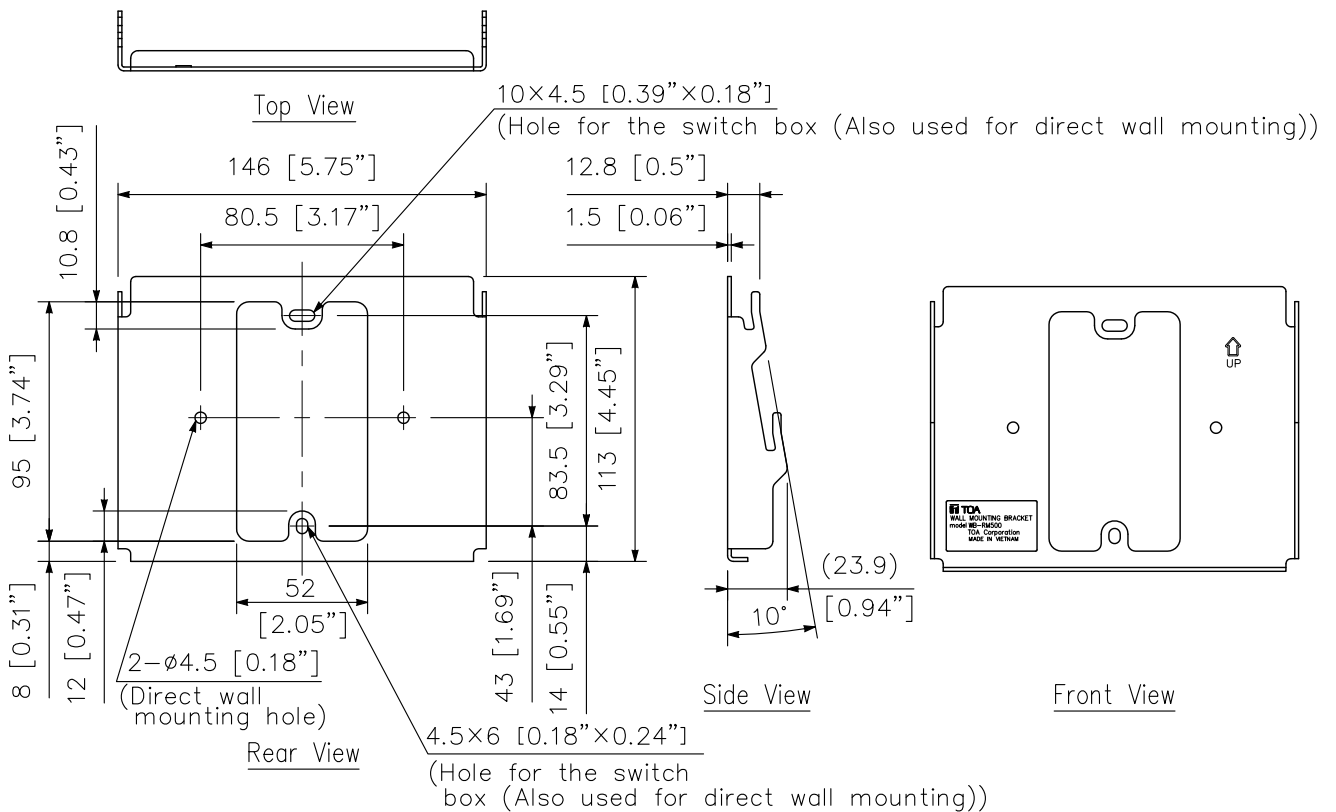
DESCRIPTION

The WB-RM500 is to mount Remote microphone on the wall.

SPECIFICATIONS

Finish	Stainless steel
Dimensions	146 (W) × 113 (H) × 23.9 (D) mm (5.75" × 4.45" × 0.94")
Weight	170 g (0.37 lb)
Accessory	Tapping screw (for direct wall mounting) ×2, Machine screw (for mounting to the switch box) ×2
Applicable Model	RM-500(Y)

APPEARANCE



UNIT:mm SCALE:1/3

Note: Numerical values in parentheses are for reference only.