

DESCRIPTION

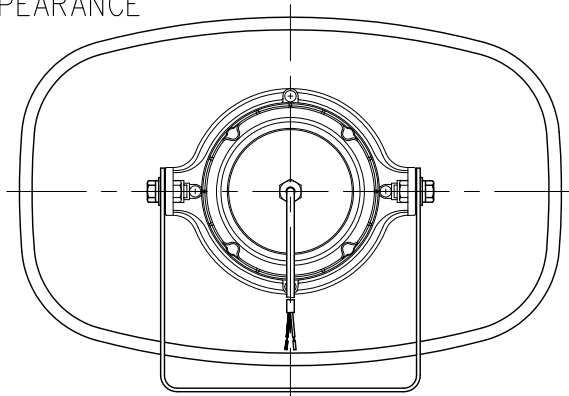
The SC-651 is a compact, highly intelligible speaker suited to public address announcement applications. Its external speaker component finished with powder coating, and stainless steel screws ensure the unit's weatherproof capability.

SPECIFICATIONS

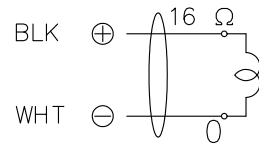
Rated Input	50 W (Mobile Mount use: 30 W)
Rated Impedance	16 Ω
Sensitivity	109 dB (1 W, 1 m)
Frequency Response	250 Hz - 6 kHz
Dust/Water Protection	IP65
Polarity	Hot: Black, Com: White
Operating Temperature	-20 °C to +55 °C (-4 °F to 131 °F) (must be free from dew condensation)
Finish	Horn flare: Aluminum, off-white, powder coating Reflector horn: ABS resin, off-white Bracket holder: Aluminum, gray, powder coating Bracket: Steel, gray, powder coating Rear cover: ABS resin, gray Screws and bolts: Stainless steel Speaker cable: Polyvinyl chloride insulated cabtyre cable (6 mm (0.24") in diameter, 600 mm (23.62") in length)
Dimensions	430 (W) x 297.5 (H) x 327 (D) mm (16.93" x 11.71" x 12.87")
Weight	3.4 kg (7.5 lb)

Note: Avoid installing the speaker in locations which vibrate considerably, or under environments easy to be oil-contaminated.

APPEARANCE



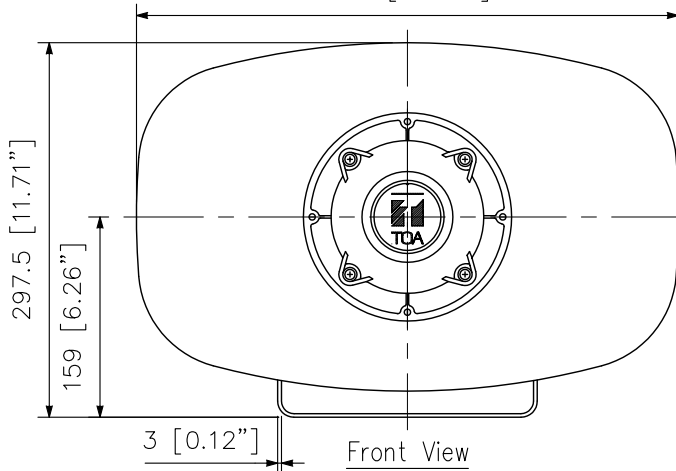
Rear View



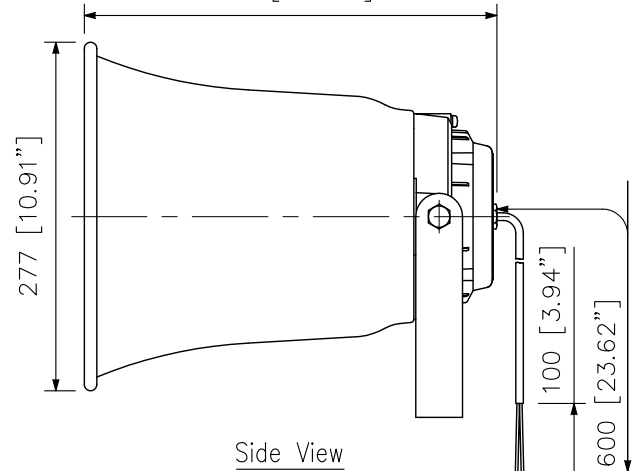
Wiring diagram

430 [16.93"]

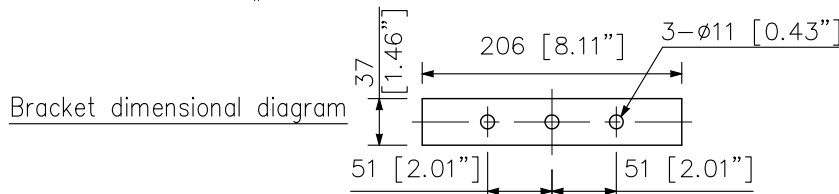
327 [12.87"]



Front View



Side View



Bracket dimensional diagram

UNIT:mm SCALE:1/6

BLK ⊕  
WHT ⊖