

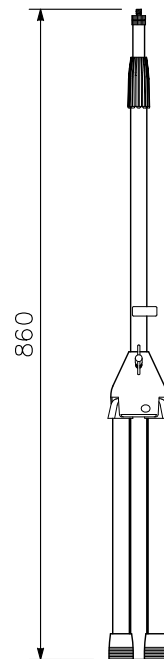
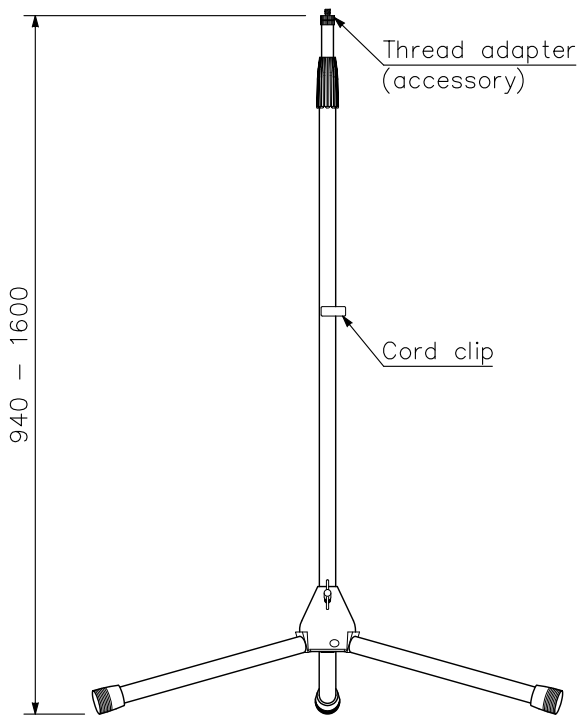
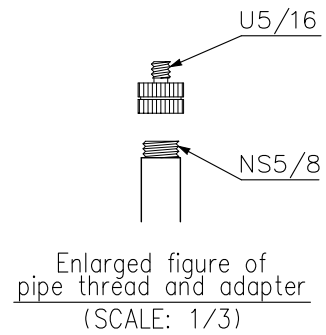
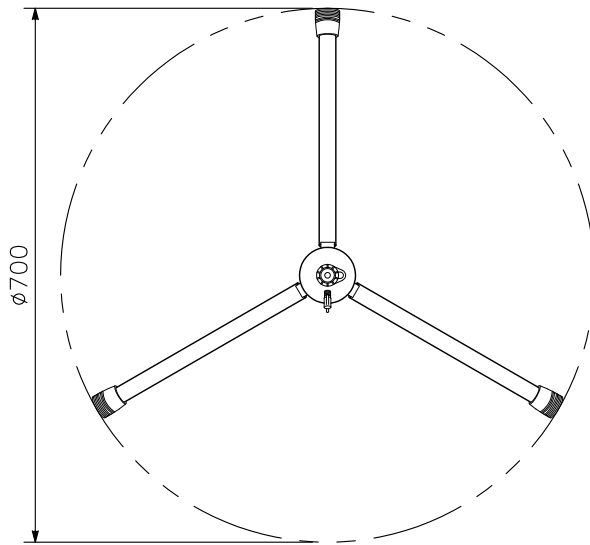
DESCRIPTION

The ST-303A is a 2-step height adjustment, collapsible legs, mobile microphone stand.

SPECIFICATIONS

Effective Extensible Length	940 - 1600 mm
Mounting Screw	U5/16 (Adapter), NS5/8 (Pipe thread)
Finish	Steel pipe for general use, chrome plating
Weight	1.7 kg
Accessory	Thread adapter ...1

APPEARANCE



UNIT: mm SCALE: 1/10