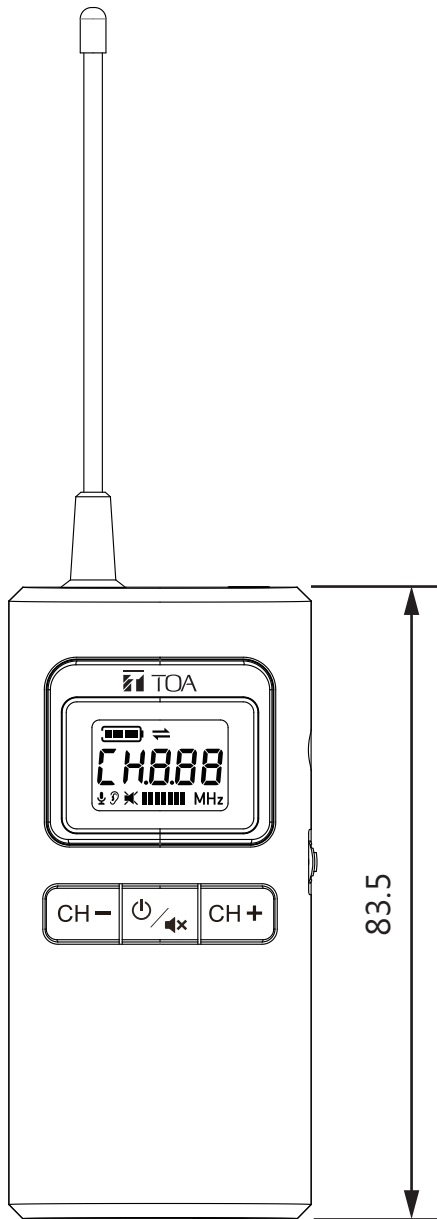


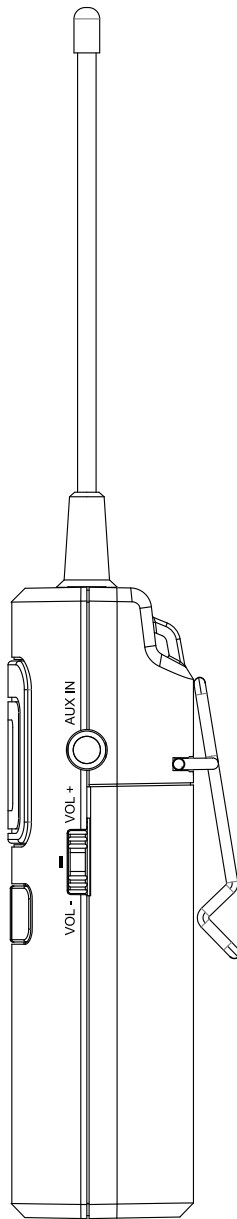
■ SPECIFICATIONS

Model number	WG-D120T-AS WM1D00	WG-D120T-AS WC4D00
Frequency	510-530MHz	803.3-805.7MHz
Modulation	GFSK	
Audio sampling	8KHz 16bit	
Latency	35ms	
Frequency response	65Hz-3.8kHz	
Dynamic range	> 80 dB	
Signal to Noise	> 60 dB	
THD at 1KHz	< 5.2%	
Service coverage	Indoor: 100m / Outdoor: >150m	
Operating temperature	-10 ~ 50°C	
RF output power	10 mW	
Receiver sensitivity	-88 dBm	
3.5mm phone jack	Mic in x 1 / Aux in x 1	
Microphone source	Built-in & External	
Input level	Mic: -35dBV / Aux: -20dBV	
Front + & - buttons	Channel selector	
Power button	Power on / off and Mute	
Side Momentary 3way tact switch	+ : Volume up	
	Center push : 2-way mode	
	- : Volume down	
Battery	Ni-MH type "AA" 1.2V x 1 / Alkaline "AA" 1.5V x 1	
Battery life (approx.) w/ 2600mAh battery	12 hr	
Charging source	DC 5V Micro USB	
Charging time	Depends on battery type and capacity	
Charging current	255 ± 10 mA	
LCD display	Channel, Battery indicator, Volume 2-way communication indicator, Signal Strength	
Antenna	Whip	
Regulatory compliance	CE FCC	
Dimension	40(W) × 24.6(D) × 83.5(H)mm , Antenna length not included	
Weight	38.6 g (batteries not included)	
Color	Silver frame	
Accessories		
Lapel mic : LMR-18	○	○
Belt clip : BC-01	○	○
Lanyard(Black) : LY-01B	○	○
Ni-MH rechargable battery : RB2600	X	X
Universal USB adapter : MUA-11	○	○
USB cable : USBY-01	○	○

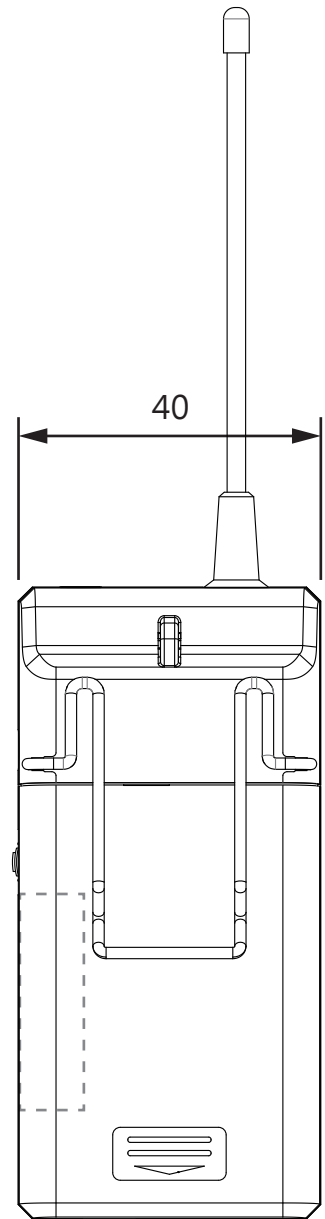
■ APPEARANCE



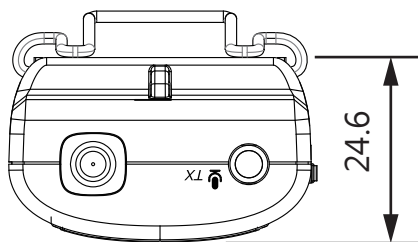
Front view



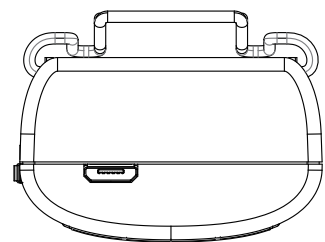
Side view



Rear view



Top view



Bottom view

UNIT: mm SCALE: 1/1